

## SA2500R

The SA2500R provides the perfect solution for packaging bulky or irregularly shaped items, offering the perfect answer to the challenges posed by such products. With its advanced capabilities, it ensures uniform outcomes for a range of different products.



All machines are subject to ongoing improvements. Some accessories displayed on the model above are optional extras.

# TECHNICAL DATA SHEET FOR SA2500R

Semi automatic wrapping machine

## Product Wrapping Sizes:

- Maximum / minimum length : no limit / 600mm or 400 mm with short products bridge.
- Width and height : Check with graphic.

## Electrical Equipment:

- Power : 400V III+N (without cutting system)  
: 230V I. (with cutting system)
- Engine : 1,5 Kw
- Manoeuvre : 24V c.c.
- Power consumption : 0,58 Kw
- Ring rotation speed : 5 to 45 rpm. (for configuration with speed inverter)
- Speed inverter : Fuji. (according to the configuration)
- PLC : Omron. (according to the configuration)
- Pneumatic pressure : 6 bars (for configuration with cutting system).
- Compressed air consumption : 24 liters/cycle (for configuration with cutting system).

## Stretchfilm Specifications:

Omegatech Super Power 330 Spiral Wrapping Film

100mm

170mm

250mm

Reorder Code: OWF10

Reorder Code: OWF17

Reorder Code: OWF25

6 Rolls / Box

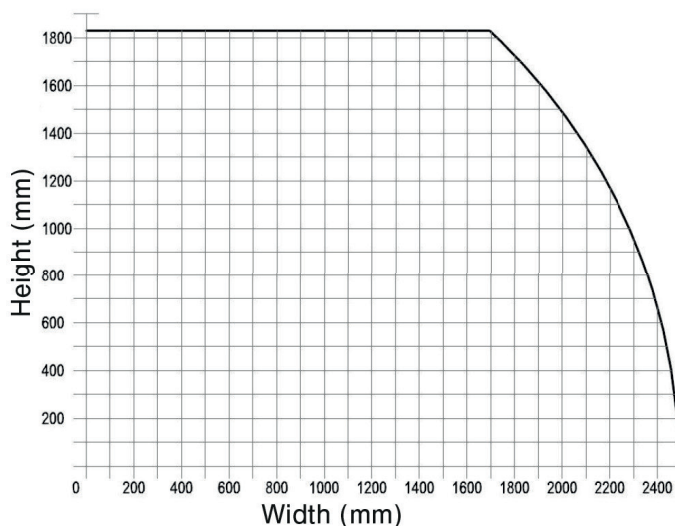
4 Rolls / Box

2 Rolls / Box

Warranty: : 12 Months

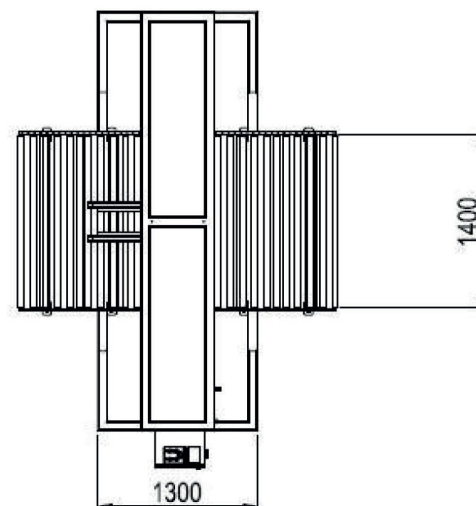
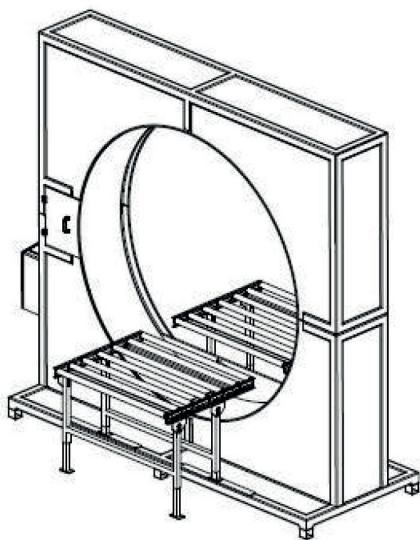
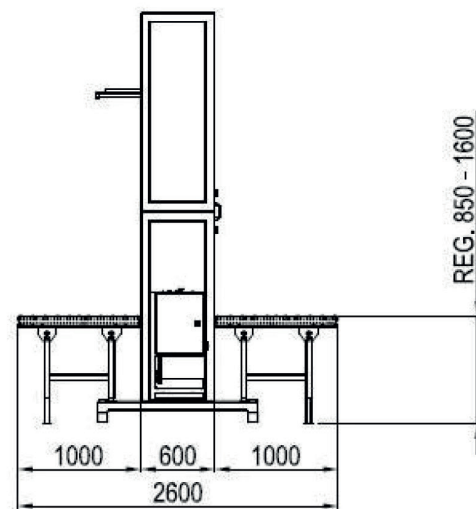
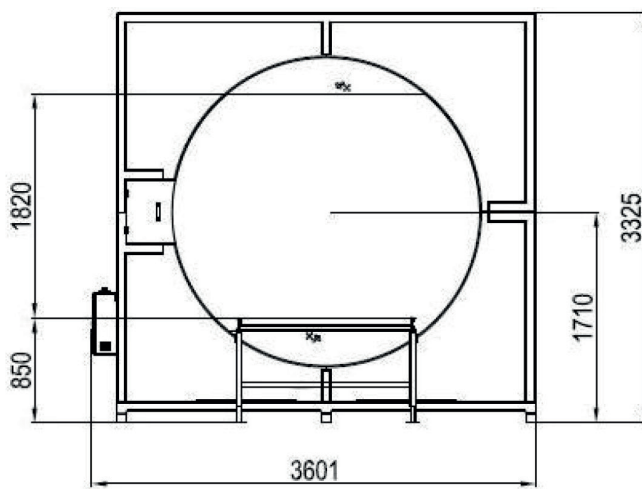
Installed machine sizes : Check attached drawing.

Packed machine sizes : 3,60 x1,80 x 3,40m - 1100 Kg.



## TECHNICAL DATA SHEET FOR SA2500R

Semi automatic wrapping machine



Drawings are indicative only and may show or omit accessories.